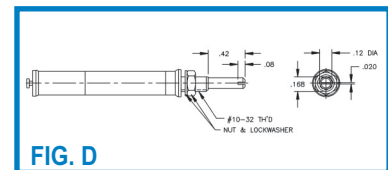
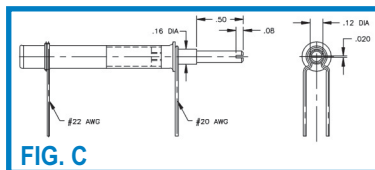
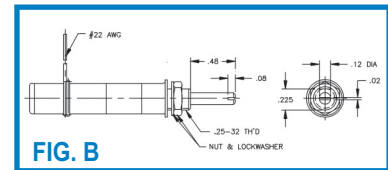
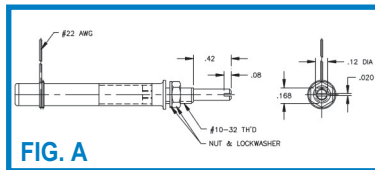
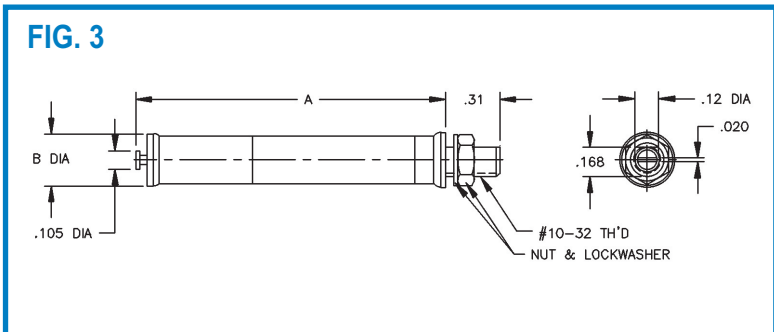
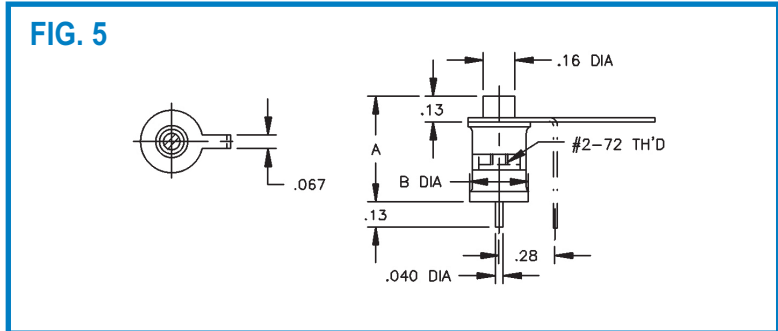
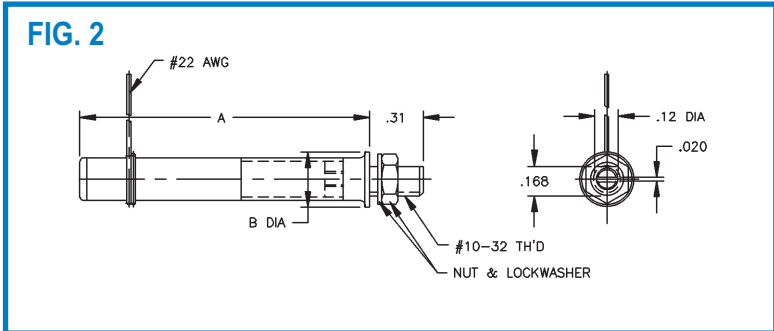
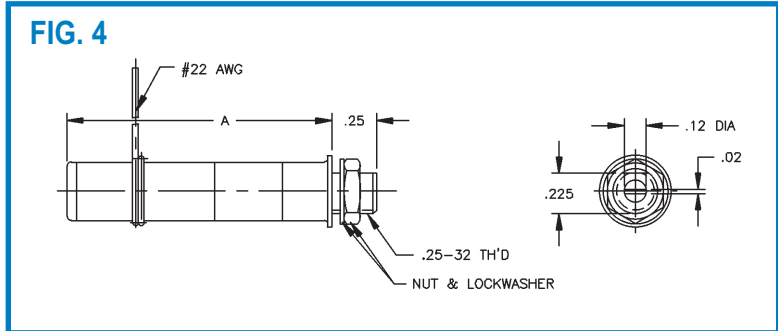
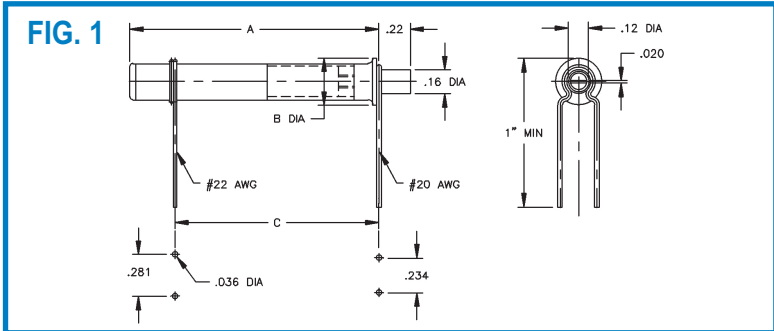


GLASS, QUARTZ & SAPPHIRE Non-magnetic Trimmer Capacitors

Part Number	Capacitance (pF)		Q (Min) 100 MHz.	DC Working Voltage	DC Withstanding Voltage	Dielectric	Fig.	"A" Dim. ± .016	"B" Dim. ± .016	"C" Dim. ± .06	Ex. Shaft Option
	From Below	To Above									
NMTF16AR	1.5	16	800	1000	2000	GLASS	5	0.67	0.31		NA
NMTM38G	0.8	38	800	1250	2500	GLASS	2	1.66	0.31		Fig. A
NMTP38G	0.8	38	800	1250	2500	GLASS	1	1.67	0.31	1.38	Fig. C
NMTP60C	1.0	60	650	1000	2000	GLASS	1	1.16	0.31	1.13	Fig. C
NMHTM64C	2.0	64	700	125	250	GLASS	3	0.63	0.31		Fig. D
NMTP75C	3.0	75	700	1000	2000	GLASS	1	1.16	0.31	1.13	Fig. C
NMTM75C	3.0	75	700	1000	2000	GLASS	3	1.17	0.31		Fig. D
NMTM120C	2.0	120	600	1000	2000	GLASS	3	1.76	0.31		Fig. D
NMQM3G	0.5	3.5	9000	1250	2500	QUARTZ	2	0.63	0.31		Fig. A
NMQM6G	1.0	6	9000	1250	2500	QUARTZ	2	0.63	0.31		Fig. A
NMQM10G	0.6	9.5	9000	1250	2500	QUARTZ	2	1.06	0.31		Fig. A
NMQM12G	1.0	12	9000	1250	2500	QUARTZ	4	1.45	0.45		Fig. B
NMQM22G	1.0	22	9000	1250	2500	QUARTZ	2	1.67	0.31		Fig. A
NMQM24G	7.5	24	7000	1250	2500	QUARTZ	4	1.48	0.40		Fig. B
NMP40M	2.0	40	3000	500	1000	SAPPHIRE	2	1.30	0.31		Fig. A



SAPPHIRE

Non-magnetic Trimmer Capacitors

FIG. 1

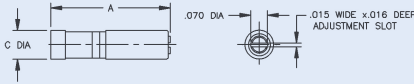
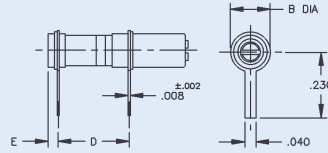


FIG. 2



Optional Configurations

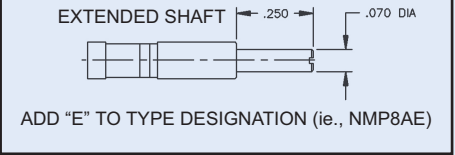


FIG. 3

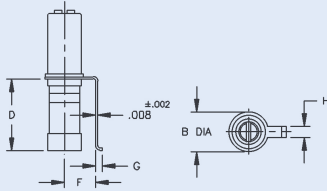


FIG. 4

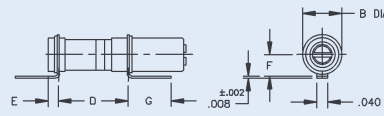
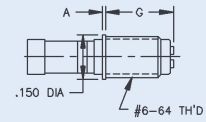


FIG. 5



IN 0.002 0.005 0.008 0.010 0.014 0.015 0.018 0.020 0.025 0.034 0.036 0.040 0.045 0.047 0.056 0.060 0.070 0.075 0.082 0.090 0.093 0.094 0.100 0.110 0.118 0.125 0.130 0.140 0.148 0.150 0.160 0.183 0.190 0.230 0.240 0.245 0.250 0.329 0.495
MM 0.05 0.13 0.20 0.25 0.36 0.38 0.46 0.51 0.64 0.86 0.91 1.02 1.14 1.19 1.42 1.52 1.78 1.91 2.08 2.29 2.36 2.39 2.54 2.79 3.00 3.18 3.30 3.56 3.76 3.81 4.06 4.65 4.83 5.84 6.10 6.22 6.35 8.36 12.57

Type	Fig.	Capacitance Range (pF)		Q (Min.) 250 MHz	Tolerances (where not specified) $\pm .016$							
		From Below	To Above		A (max)	B DIA.	C \pm .005	D \pm .010	E \pm .010	F	G	H \pm .005
NMP3A	1	0.6	2.5	4,000	.240	-	.118	-	-	-	-	-
NMP5A	1	0.6	4.5	3,000	.329	-	.118	-	-	-	-	-
NMP8A	1	0.8	7.0	1,500	.495	-	.118	-	-	-	-	-
NMP12A	1	1.0	12.0	1,500	.495	-	.118	-	-	-	-	-
NMP3B	2	0.6	2.5	4,000	.240	.140	.118	.082	.014	-	-	-
NMP5B	2	0.6	4.5	3,000	.329	.140	.118	.130	.034	-	-	-
NMP8B	2	0.8	7.0	1,500	.495	.140	.118	.250	.036	-	-	-
NMP12B	2	1.0	12.0	1,500	.495	.140	.118	.250	.036	-	-	-
NMP3F	3	0.6	2.5	4,000	.240	.140	.118	.090	-	.110	.025	.04
NMP5F	3	0.6	4.5	3,000	.329	.140	.118	.160	-	.110	.025	.04
NMP8F	3	0.8	7.0	1,500	.495	.140	.118	.250	-	.110	.025	.04
NMP12F	3	1.0	12.0	1,500	.495	.140	.118	.250	-	.110	.025	.04
NMP3J	4	0.6	2.5	4,000	.240	.140	.118	.082	.014	.070	.160	-
NMP5J	4	0.6	4.5	3,000	.329	.140	.118	.130	.034	.070	.160	-
NMP8J	4	0.8	7.0	1,500	.495	.140	.118	.250	.036	.070	.160	-
NMP12J	4	1.0	12.0	1,500	.495	.140	.118	.250	.036	.087	.125	-
NMP3M	5	0.6	2.5	4,000	.240	-	.118	-	-	-	.125	-
NMP5M	5	0.6	4.5	3,000	.329	-	.118	-	-	-	.160	-
NMP8M	5	0.8	7.0	1,500	.495	-	.118	-	-	-	.230	-

NOTE: For diameter and length dimensions on figures 2-5, see figure 1.