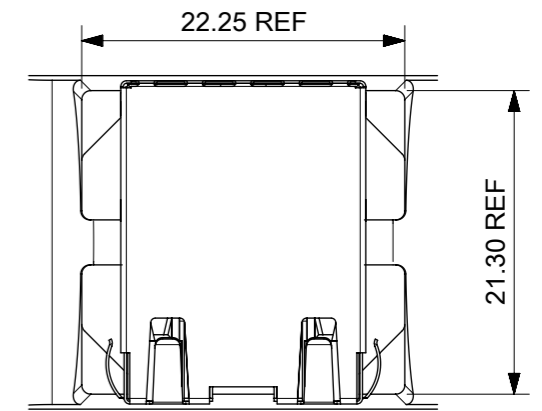
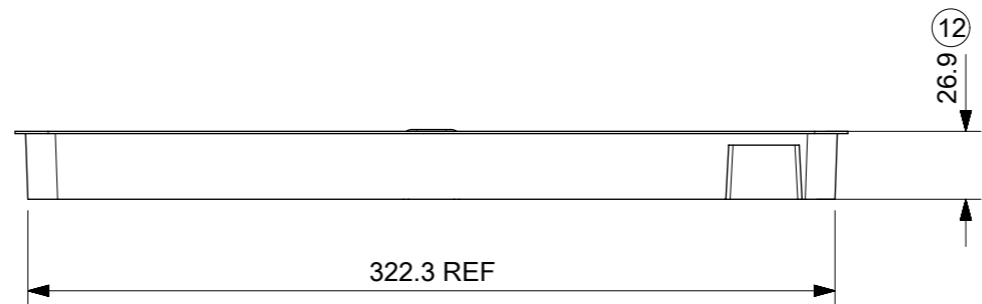
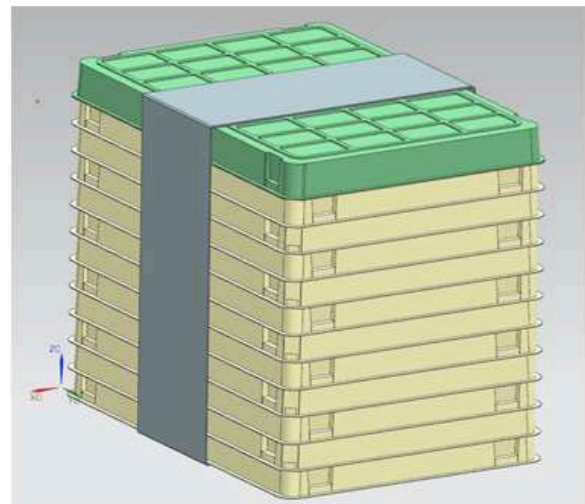
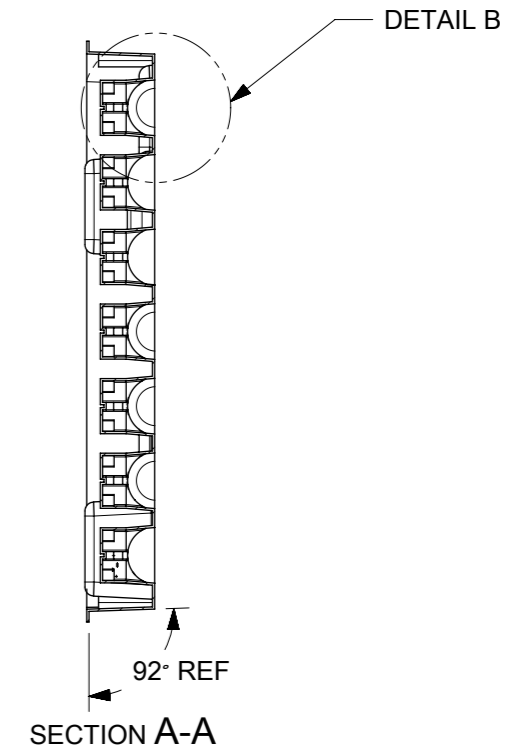
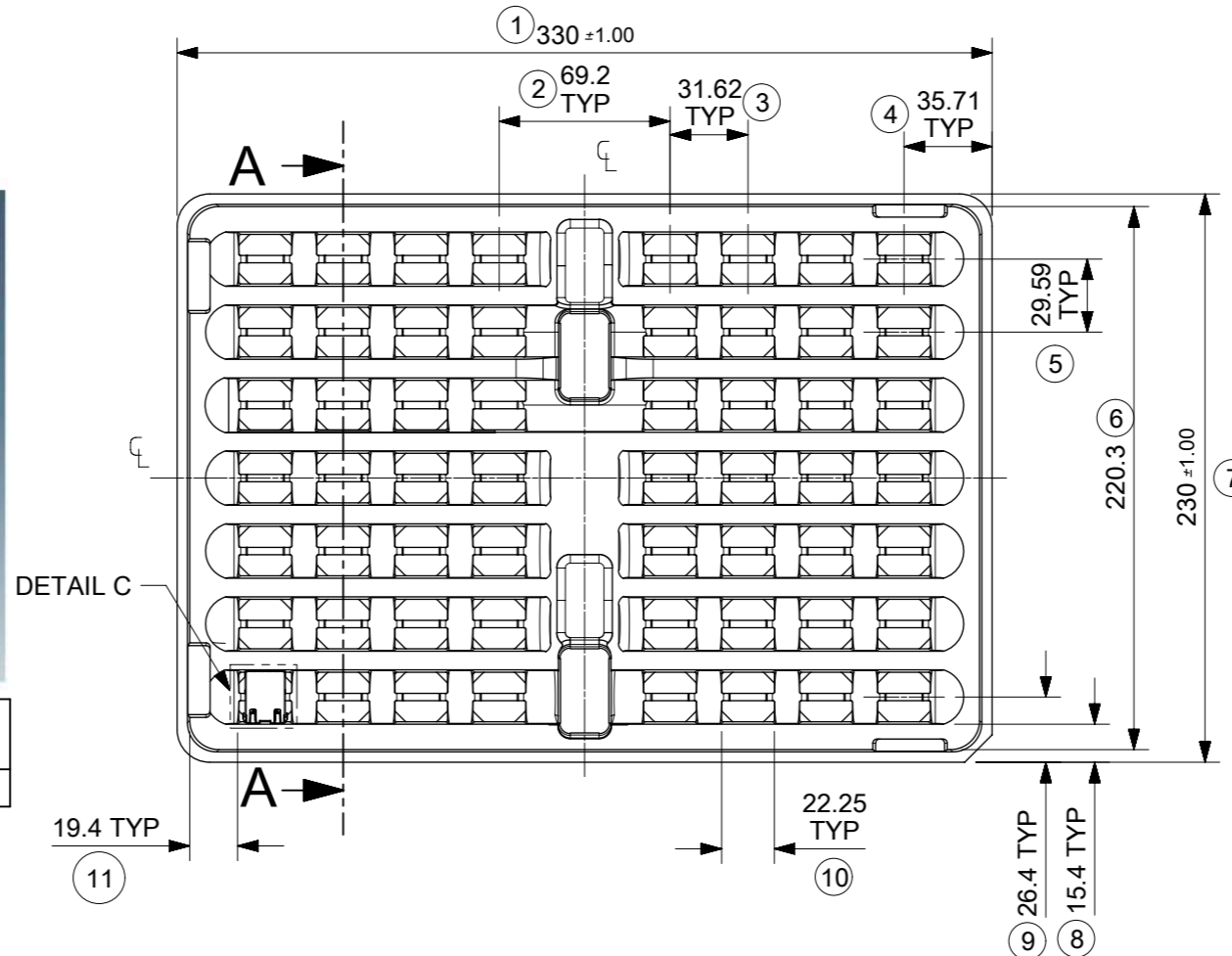


DETAIL B



DETAIL C  
SCALE 2:1



VERSION	QUANTITY PER TRAY	QUANTITY OF TRAYS PER BOX	QUANTITY PER BOX	QUANTITY PER PALLET
0.85" VERSION	56	12	672	18,144

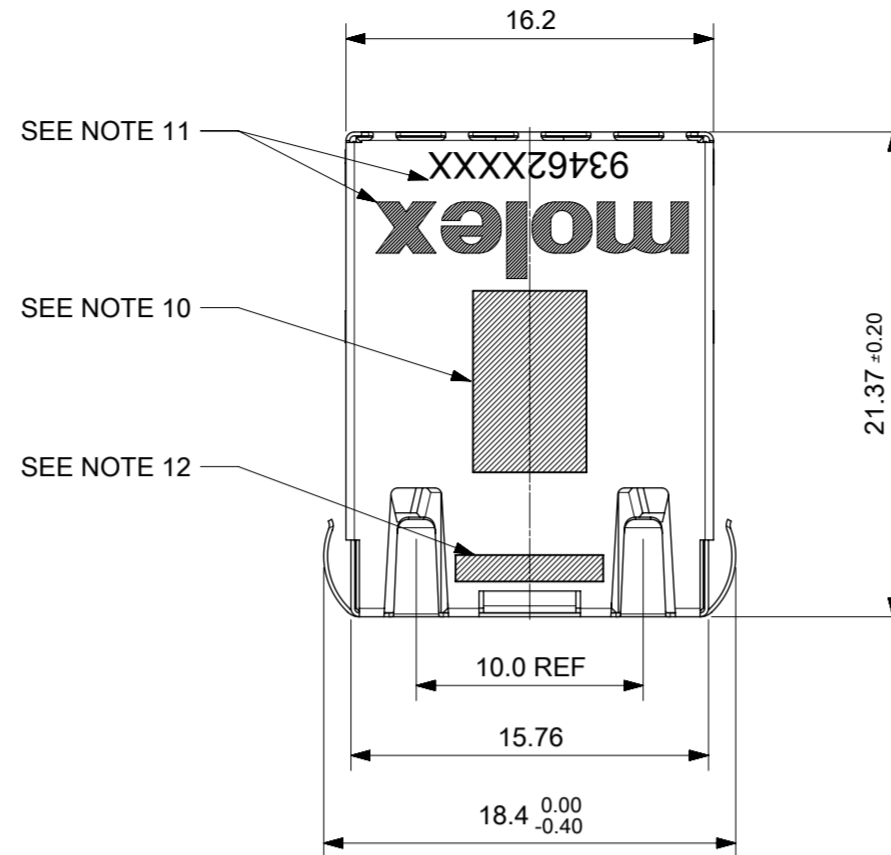
NOTES:

- MATERIAL: PETA ANTISTATIC
- THICKNESS: 0.9mm ±0.05mm
- COLOUR: CLEAR
- BOW 2mm MAXIMUM PER 330mm
- TWIST 2mm MAXIMUM PER 330mm
- TRAY PART NO. AND RECYCLE LOGO TO BE CLEARLY MARKED ON TRAY  
RECYCLE LOGO SHOULD BE APPROPRIATE TO MATERIAL USED
- WHERE RELEVANT, DIMENSIONS SHOULD BE SYMMETRICAL ABOUT THE CENTRELINE
- GENERAL PROFILE TOLERANCE  $\overline{\cup}$  0.40 ON NON DIMENSIONED FEATURES

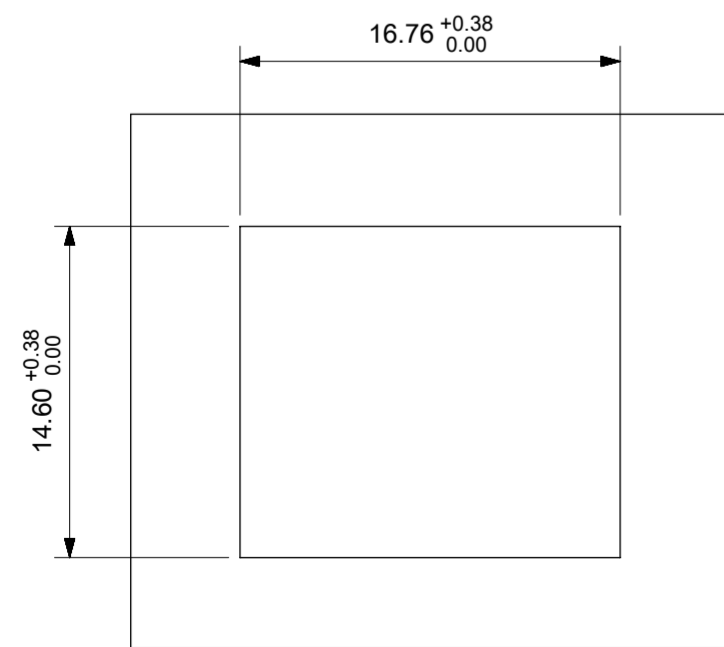
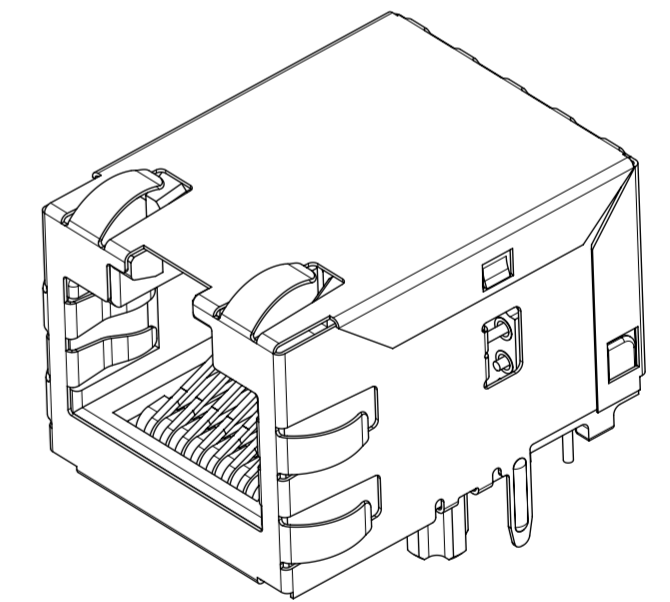
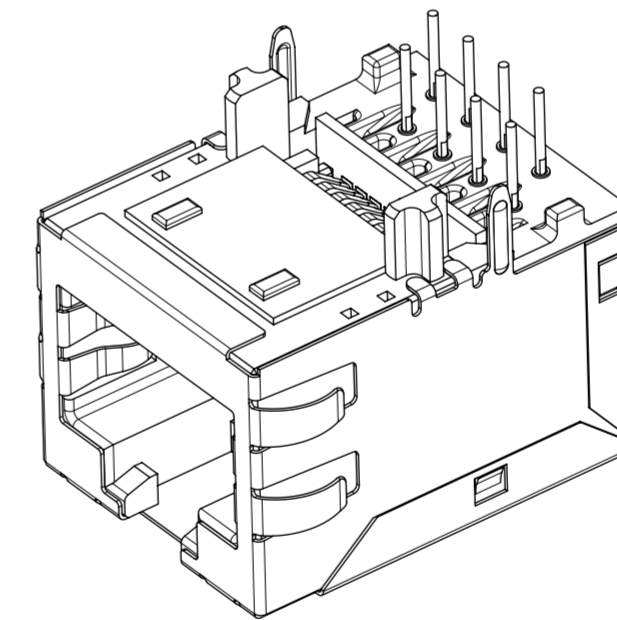
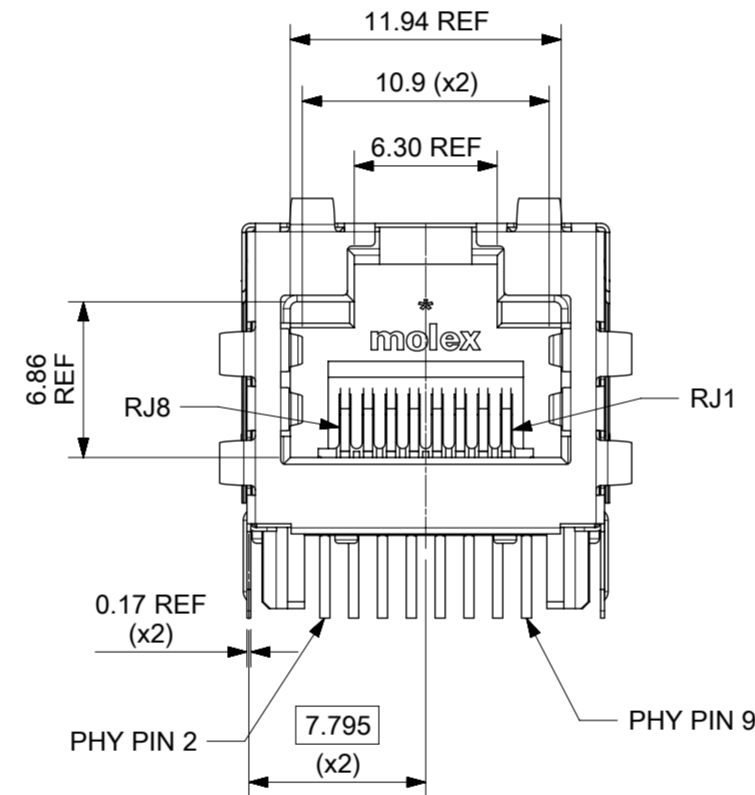
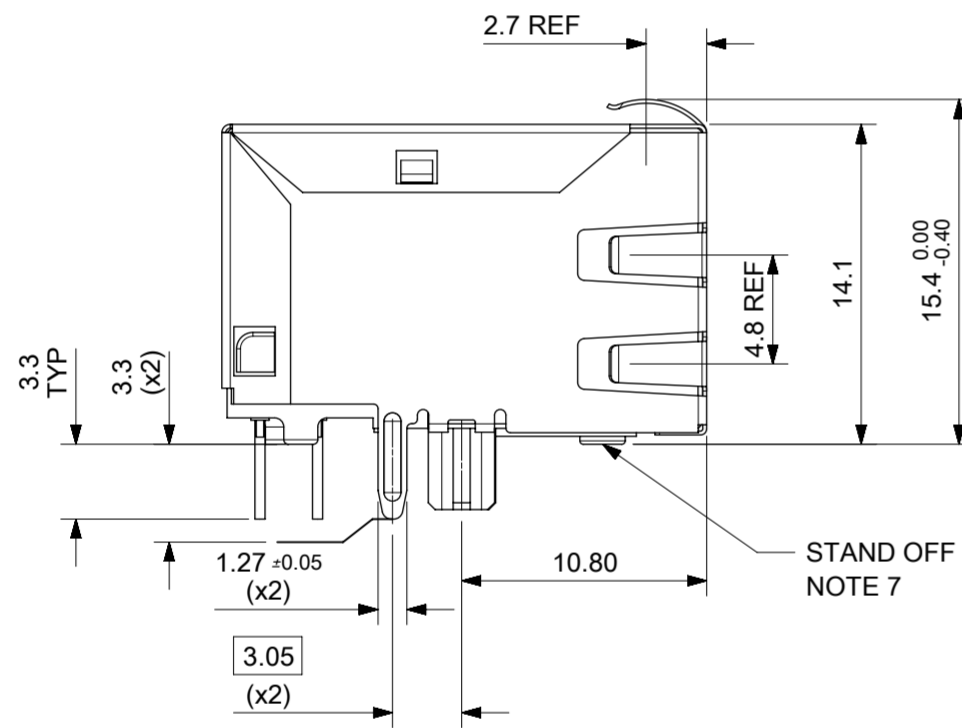
LAST INSPECTION NUMBER USED: 12

QUALITY SYMBOLS					THIS DRAWING CONTAINS INFORMATION THAT IS PROPRIETARY TO MOLEX ELECTRONIC TECHNOLOGIES, LLC AND SHOULD NOT BE USED WITHOUT WRITTEN PERMISSION					
$\nabla_A$	=	0	ORIGINAL RELEASE EC NO: 109024 DRWN: DALLENO1 CHK'D: DALLENO1 REV APPR: STGRIFFIN	2016/10/04 2016/12/07 2016/12/07	GENERAL TOLERANCES (UNLESS SPECIFIED) ANGULAR TOL ± 1.0 °	DIMENSION UNITS		SCALE		<b>molex</b> <sup>®</sup>
$\nabla_B$	=	0				MM	1:3	MXMAG STANDARD AND INVERTED TRAY		
$\nabla_C$	=	0				DRWN BY	DATE			
$\nabla_D$	=	0				KREILLY	2016/05/06			
$\nabla_E$	=	0				CHK'D BY	DATE			
$\nabla_F$	=	0	APPR BY	DATE						
$\nabla_G$	=	0	DRAFT WHERE APPLICABLE MUST REMAIN WITHIN DIMENSIONS	A3	THIRD ANGLE PROJECTION	PRODUCT CUSTOMER DRAWING				
$\nabla_H$	=	0				SERIES	MATERIAL NUMBER	CUSTOMER		
$\nabla_I$	=	0				93462	990250150	GENERAL MARKET		
$\nabla_J$	=	0	DOCUMENT NUMBER		DOC TYPE	DOC PART	SHEET NUMBER			
			934620003		PSD	K	1 OF 1			

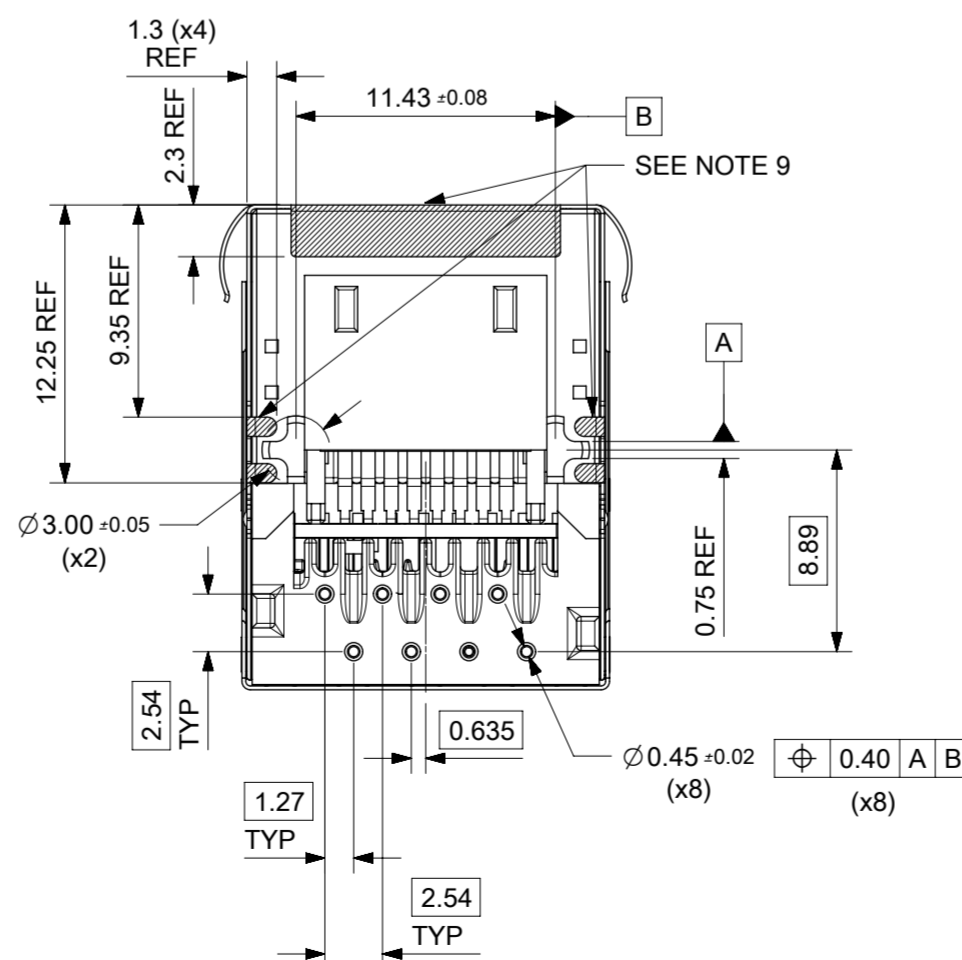
INVERTED PROFILE MAGNETIC JACK  
FAST ETHERNET W/SHIELD TABS



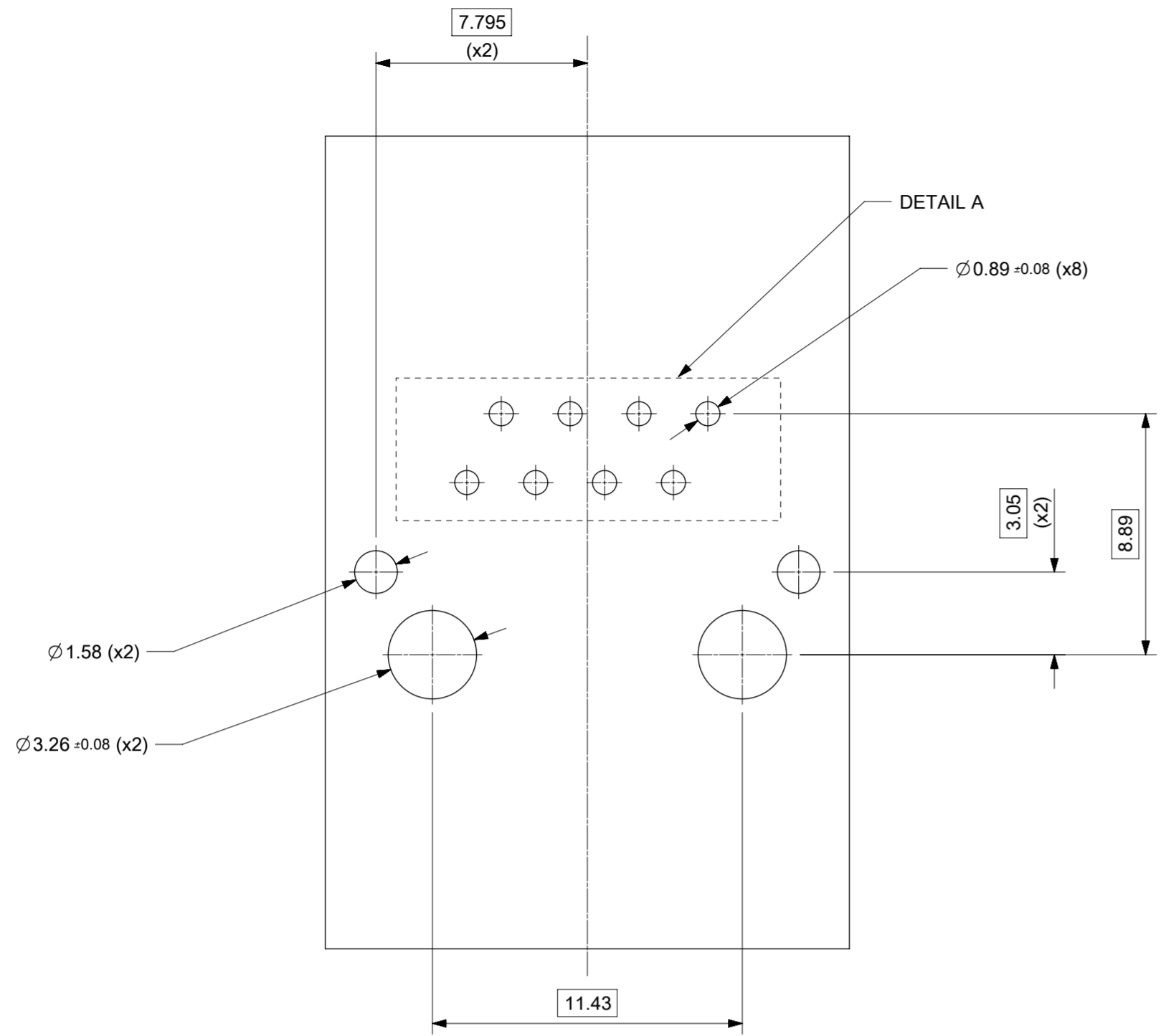
- NOTES:
- 1 - SHIELD MATERIAL: 0.17 mm THICK BRASS PRE-PLATED WITH NICKEL  
SOLDER TABS POST DIPPED WITH MIN 1.27 μm TIN
  - 2 - HOUSING MATERIAL: LCP, BLACK, UL 94V-0
  - 3 - TERMINALS MATERIAL: PHOSPHOR BRONZE  
RJ45 CONTACTS PLATING: BASE NICKEL PLATED WITH GOLD  
FLASH OVER PALLADIUM NICKEL. REFER TO 934620001 PSP  
PHY SOLDER TAILS: COPPER ALLOY
  - 4 - MATING INTERFACE ACCORDING TO IEC 60603-7 & TIA-1096-A
  - 5 - PRODUCT SPECIFICATION: 934620001 PSP
  - 6 - PACKAGING SPECIFICATION: 934620001 PSK - TRAY
  - 7 - STAND OFF TO SYSTEM BOARD 0.30 mm MIN
  - 8 - RECOMMENDED PCB THICKNESS: 1.57 mm
  - 9 - SHIELD: AVOID ROUTING TRACES  
OR PLACING ANY VIAS BELOW THESE AREAS
  - 10 - AREA FOR PICK AND PLACE: 5.0 mm X 8.0 mm
  - 11 - INSCRIPTION MARKED BY LASER:  
1st : MOLEX  
2nd : P/N (SEE BOM)
  - 12 - INSCRIPTION MARKED BY LASER:  
DATE CODE(DAY/WEEK/YEAR)
  - 13 - MATERIAL COMPLIANT TO RoHS DIRECTIVE 2002/95/EC



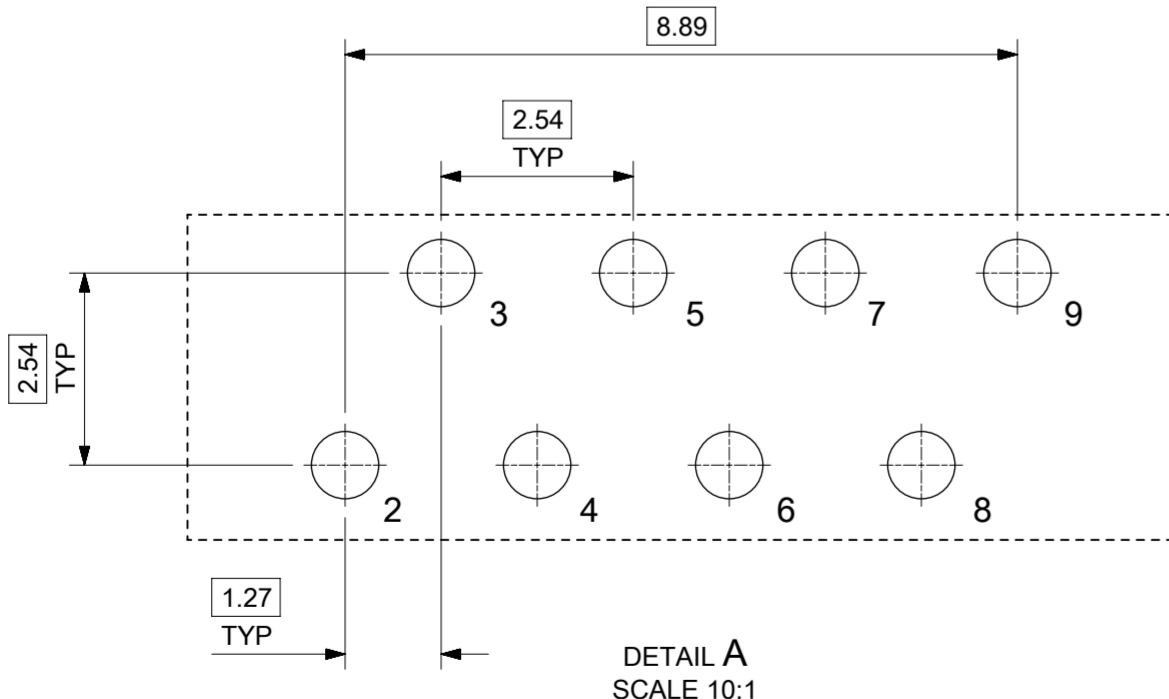
SUGGESTED PANEL CUT-OUT



THIS DRAWING CONTAINS INFORMATION THAT IS PROPRIETARY TO MOLEX ELECTRONIC TECHNOLOGIES, LLC AND SHOULD NOT BE USED WITHOUT WRITTEN PERMISSION		GENERAL TOLERANCES (UNLESS SPECIFIED)		DIMENSION UNITS	SCALE	<b>molex</b> INV MX-MAG 4 CORE FE W/SHIELD TABS				
REVISIONS		ANGULAR TOL ± 2.0 °		mm	3:1				PRODUCT CUSTOMER DRAWING	
EC NO: 116686	2017/05/09	DRWN: KREILLY	2017/09/12	DRWN BY		DATE		SERIES	MATERIAL NUMBER	CUSTOMER
REV: B	2017/09/26	CHKD: DSHEA	2017/09/12	KREILLY		2015/09/28		93462	SEE TABLE ON SHEET 2	GENERAL MARKET
		APPR: DBYRNES	2017/09/26	CHK'D BY		DATE		DOCUMENT NUMBER	DOC TYPE	DOC PART SHEET NUMBER
				DSHEA		2017/09/12		934620004	PSD	000 1 OF 3
				APPR BY		DATE				
				STGRIFFIN		2015/11/19				
				DRAFT WHERE APPLICABLE MUST REMAIN WITHIN DIMENSIONS		DRAWING SIZE				
				A2		THIRD ANGLE PROJECTION				



SUGGESTED BOARD LAYOUT  
FAST ETHERNET VERSION  
COMPONENT SIDE  
ALL DIMS REFERENCE DIMS



DETAIL A  
SCALE 10:1

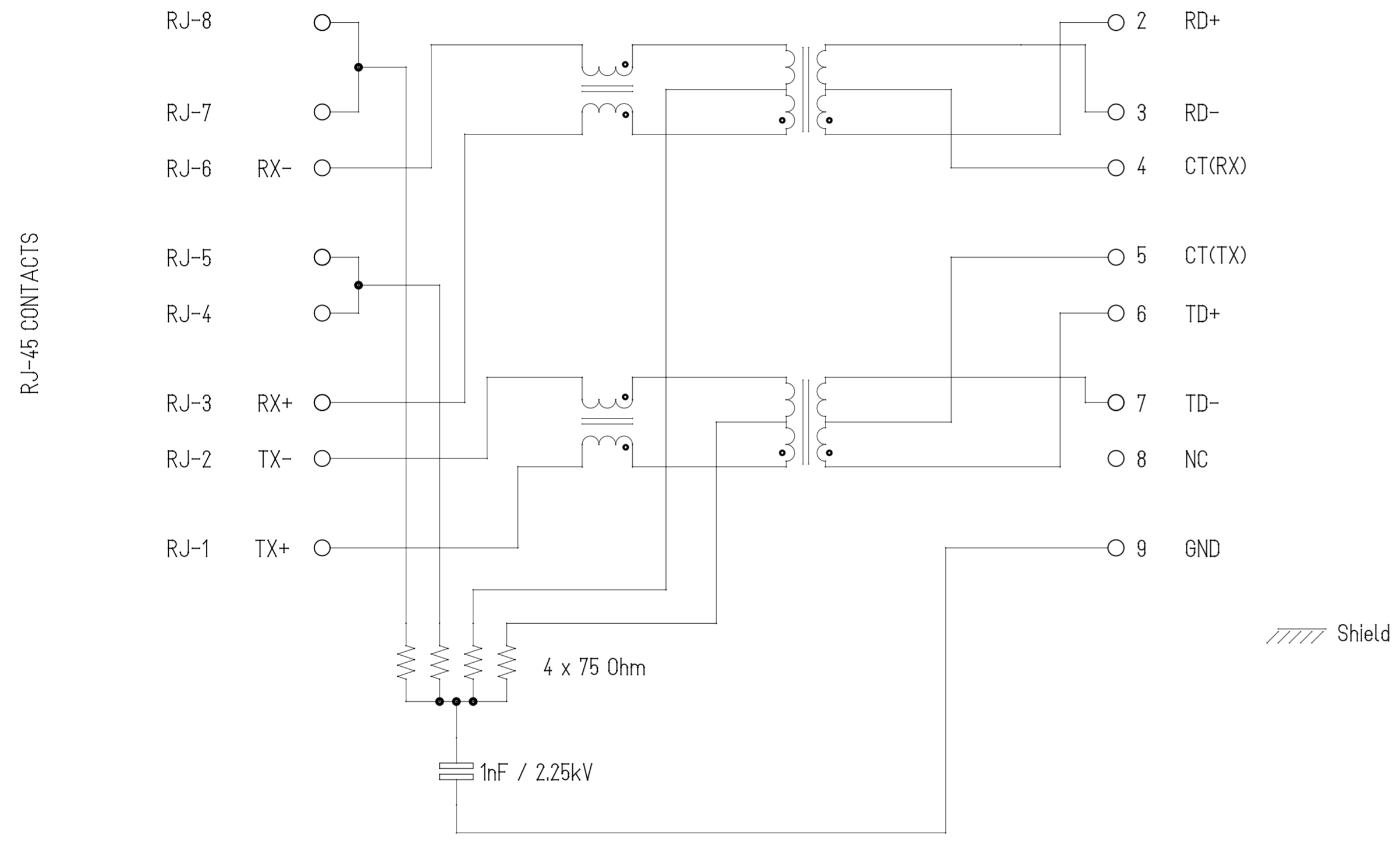
PIN CONFIGURATION  
FOR FAST ETHERNET VERSION

PART NUMBER	LEFT LED	RIGHT LED
93462-8320	N/A	N/A

THIS DRAWING CONTAINS INFORMATION THAT IS PROPRIETARY TO MOLEX ELECTRONIC TECHNOLOGIES, LLC AND SHOULD NOT BE USED WITHOUT WRITTEN PERMISSION										
REVISED	EC NO: 116686	2017/05/09	GENERAL TOLERANCES (UNLESS SPECIFIED)	DIMENSION UNITS	SCALE	<b>molex</b> <sup>®</sup>				
	DRWN: KREILLY	2017/09/12	ANGULAR TOL ± 2.0 °	mm	5:1					
	CHKD: DSHEA	2017/09/26	4 PLACES ±	DRWN BY	DATE	INV MX-MAG 4 CORE FE W/SHIELD TABS				
	APP: DBYRNES		3 PLACES ±	KREILLY	2015/09/28					
			2 PLACES ± 0.1	CHK'D BY	DATE	PRODUCT CUSTOMER DRAWING				
		1 PLACE ± 0.2	DSHEA	2017/09/12						
		0 PLACES ±	APPR BY	DATE	SERIES MATERIAL NUMBER CUSTOMER					
			STGRIFFIN	2015/11/19						
			DRAFT WHERE APPLICABLE MUST REMAIN WITHIN DIMENSIONS	DRAWING SIZE	THIRD ANGLE PROJECTION	93462 SEE TABLE		GENERAL MARKET		
<b>B</b>				<b>A2</b>		DOCUMENT NUMBER 934620004		DOC TYPE PSD	DOC PART 000	SHEET NUMBER 2 OF 3

Description	Value	
OCL @100 kHz, 0.1 V 8 mA DC bias (-40°C to +85°C)	350 μH min.	
Turns ratio	1CT:1CT	
Transmission characteristics @ 25°C, all four pairs		
Insertion Loss		
Frequency f, (MHz)	Limits (dB max.)	Typical Values (dB max.)
1.0-9.9	0.4+0.1*log(f)	0.5 @ 10 MHz
10-49.9	0.5+0.3*log(f/10)	0.7 @ 50 MHz
50-79.9	1+1.4*log(f/80)	1.0 @ 80 MHz
80-100	1.3+3*log(f/100)	1.3 @ 100 MHz
Return Loss		
Frequency f, (MHz)	Limits (dB min.)	Typical Values (dB min.)
1.0-39.9	18	18 @ 40 MHz
40-100	12-20*log(f/80)	10 @ 100 MHz
CMR		
Frequency f, (MHz)	Limits (dB min.)	Typical Values (dB min.)
1.0-100	30	30 @ 100 MHz
Next		
Frequency f, (MHz)	Limits (dB min.)	Typical Values (dB min.)
1.0-39.9	35	35 @ 40 MHz
40-100	33-20*log(f/50)	27 @ 100 MHz
Isolation PHY to wire side		
2.25 kVDC/60sec		

WIRE-SIDE / RJ-45                      ETHERNET MAGNETICS                      PHY-SIDE / PCB SIDE



RJ-45 CONTACTS

ETHERNET TERMINALS

Shield

THIS DRAWING CONTAINS INFORMATION THAT IS PROPRIETARY TO MOLEX ELECTRONIC TECHNOLOGIES, LLC AND SHOULD NOT BE USED WITHOUT WRITTEN PERMISSION

REVISED EC NO: 116686 DRWN: KREILLY CHKD: DSHEA REV APPR: DBYRNES	2017/05/09	GENERAL TOLERANCES (UNLESS SPECIFIED)	DIMENSION UNITS	SCALE		
	2017/09/12	(UNLESS SPECIFIED)	mm	1:1		
	2017/09/26	ANGULAR TOL ± 2.0 °	DRWN BY	DATE		INV MX-MAG 4 CORE FE W/SHIELD TABS
		4 PLACES ±	KREILLY	2015/09/28		
		3 PLACES ±	CHK'D BY	DATE		
	2 PLACES ± 0.1	DSHEA	2017/09/12			
	1 PLACE ± 0.2	APPR BY	DATE			
	0 PLACES ±	STGRIFFIN	2015/11/19	PRODUCT CUSTOMER DRAWING		
	DRAFT WHERE APPLICABLE MUST REMAIN WITHIN DIMENSIONS	DRAWING SIZE	THIRD ANGLE PROJECTION	SERIES	MATERIAL NUMBER	CUSTOMER
		A2		93462	SEE TABLE ON SHEET 2	GENERAL MARKET
				DOCUMENT NUMBER	DOC TYPE	DOC PART SHEET NUMBER
				934620004	PSD	000 3 OF 3